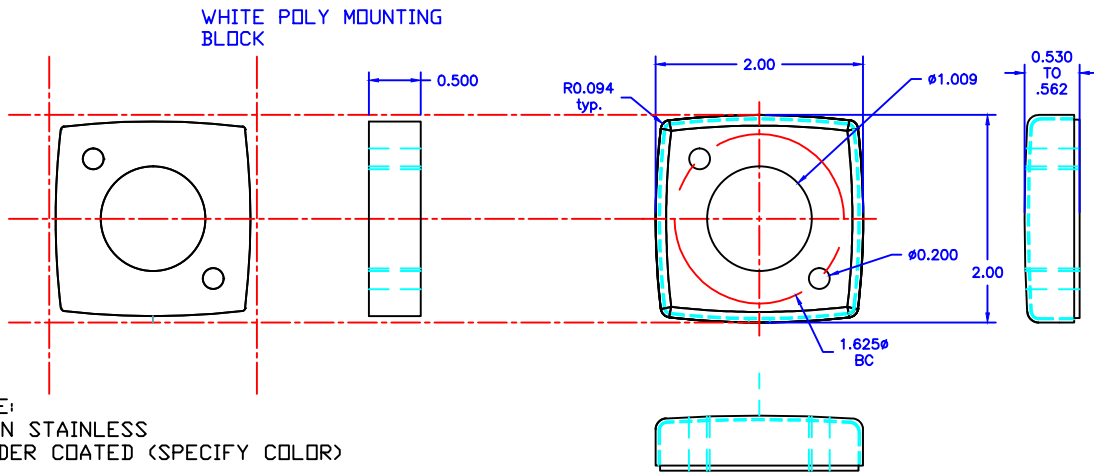




Technical Data S-4646-XX

EXPOSED MOUNT HEAVY DUTY SQUARE 1"Ø SHOWER ROD FLANGES (PAIR)



SQUARE FLANGE
TYP. 2X

1"Ø SHOWER ROD
NOT INCLUDED IN
THIS PART NUMBER

POLY MOUNTING
BLOCK, TYP. 2X

Construction:

POLY MOUNTING BLOCK: 1/2" THICK HIGH DENSITY WHITE PLASTIC.
SQUARE FLANGE: .028 THICK TYPE 304 STAINLESS STEEL.
MOUNTING SCREWS: #10 X 1 1/2" LONG SMS PAN PHIL. HEAD STAINLESS STEEL.

Operation:

HOLDS 1"Ø SHOWER ROD.

Installation:

USE POLY MOUNTING BLOCK TO LOCATE AND MARK DESIRED HEIGHT.
DRILL MOUNTING HOLES.
FASTEN FLANGE ONTO POLY BLOCK ON ONE SIDE OF WALL.
INSERT SHOWER ROD AND REPEAT FOR OTHER SIDE.

Guide Specification:

1"Ø SQUARE HEAVY DUTY SHOWER ROD FLANGE.
EXPOSED MOUNTING.
FINISHES AS INDICATED ABOVE.
PART NUMBER INCLUDES ONE PAIR.

The manufacturer reserves the right to make changes in design and material without formal notice and without incurring obligation

© Copyright 2011
Brey-Krause Manufacturing

Brey-Krause Manufacturing
1209 West Lehigh Street, Bethlehem, PA 18018
Phone: 610.867.1401 Fax: 610.866.1433
www.breykrause.com