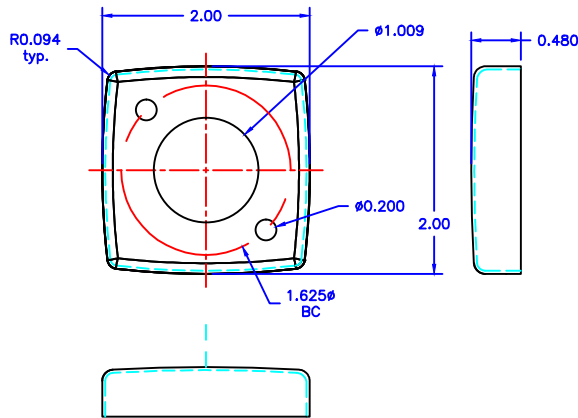


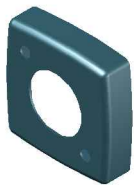


# Technical Data S-4645-XX

EXPOSED MOUNT SQUARE 1"Ø SHOWER ROD FLANGES (PAIR)

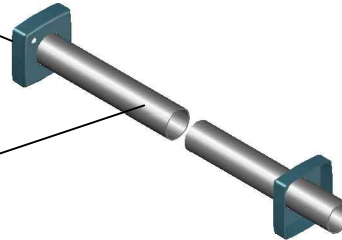


FINISH CODE:  
 -SS = SATIN STAINLESS  
 -PC = POWDER COATED (SPECIFY COLOR)



SQUARE FLANGE  
 TYP. 2X

1"Ø SHOWER ROD  
 NOT INCLUDED IN  
 THIS PART NUMBER



### Construction:

SQUARE FLANGE: .028 THICK TYPE 304 STAINLESS STEEL.  
 MOUNTING SCREWS: #10 X 1½" LONG SMS PAN PHIL. HEAD STAINLESS STEEL.

### Operation:

HOLDS 1"Ø SHOWER ROD.

### Installation:

USE FLANGE TO LOCATE AND MARK DESIRED HEIGHT.  
 DRILL MOUNTING HOLES.  
 FASTEN FLANGE ONTO ONE SIDE OF WALL.  
 INSERT SHOWER ROD AND REPEAT FOR OTHER SIDE.  
 CAUTION NOT TO OVER TIGHTEN SCREWS.

### Guide Specification:

1"Ø SQUARE SHOWER ROD FLANGE.  
 EXPOSED MOUNTING.  
 FINISHES AS INDICATED ABOVE.  
 PART NUMBER INCLUDES ONE PAIR.

The manufacturer reserves the right to make changes in design and material without formal notice and without incurring obligation

© Copyright 2011  
 Brey-Krause Manufacturing

Brey-Krause Manufacturing  
 1209 West Lehigh Street, Bethlehem, PA 18018  
 Phone: 610.867.1401 Fax: 610.866.1433  
 www.breykrause.com