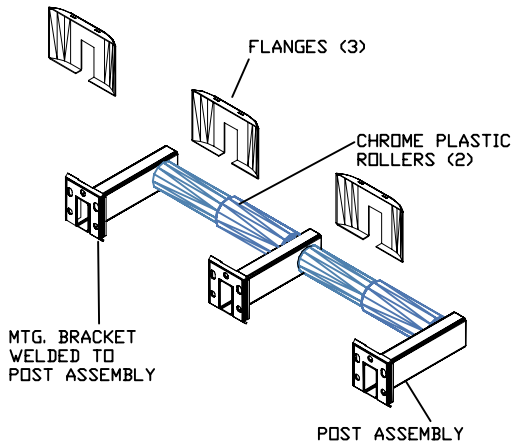
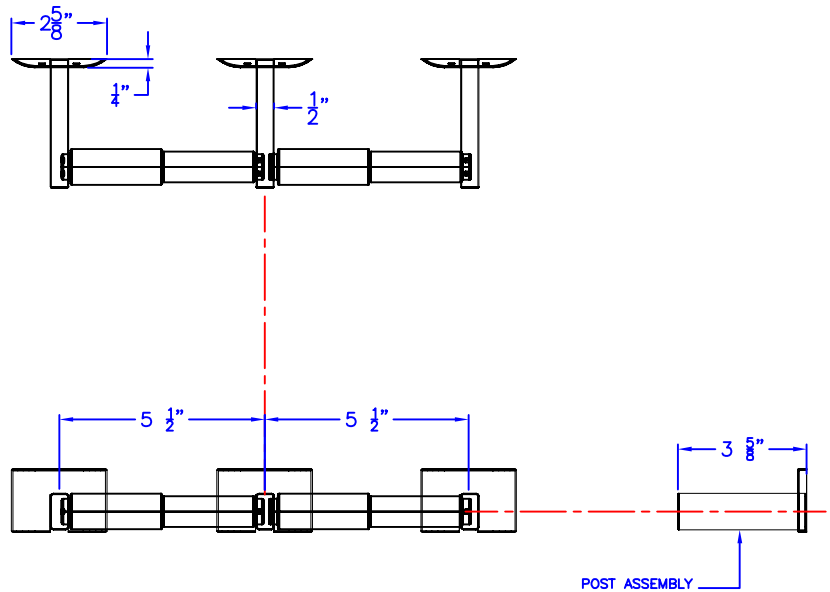
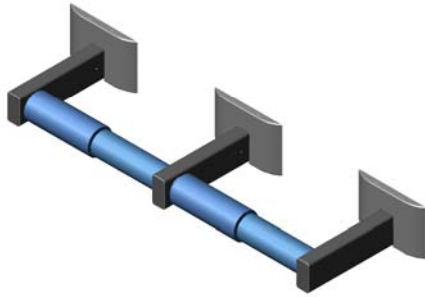




Technical Data S-4559-XX

DOUBLE TOILET PAPER HOLDER



- FINISHES:
- SS SATIN STAINLESS
 - BS BRIGHT STAINLESS
 - PC POWDER COAT (SPECIFY COLOR)

Construction:

POST ASSEMBLY: 22 GAUGE TYPE 304 STAINLESS STEEL
 MOUNTING BRACKET: 19 GAUGE TYPE 304 STAINLESS STEEL WITH (3) $\frac{3}{16}$ " ϕ AND (2) $\frac{3}{16}$ " X $\frac{9}{32}$ " SLOTTED HOLES.
 ROLLER: $\frac{3}{4}$ " ϕ CHROME PLATED PLASTIC SPRING LOADED
 MOUNTING SCREWS: #8 X 1 $\frac{1}{4}$ " PHIL. PAN HD. ZINC PLATE
 FINISHES AS NOTED.

Installation:

USE MOUNTING BRACKET (WELDED TO POST ASSEMBLY) TO MARK AND LOCATE HOLES.
 FASTEN TO WALL.
 SET DISTANCE FOR BOTH TOILET PAPER ROLLS AND REPEAT STEPS.
 SLIDE FLANGE ONTO POST ASSEMBLY AND SNAP ONTO MTG. BRACKET.
 INSERT SPRING LOADED ROLLERS (2).

CAUTION: UNIT IS ONLY AS STRONG AS THE ANCHORING DEVICES AND THE WALL ON WHICH IT IS MOUNTED TO.

Guide Specification:

DOUBLE TOILET PAPER HOLDER.
 CONCEALED MOUNTING SYSTEM.
 FABRICATED FROM TYPE 304 STAINLESS STEEL.
 $\frac{3}{4}$ " ϕ CHROME PLATED SPRING LOADED PLASTIC ROLLER.