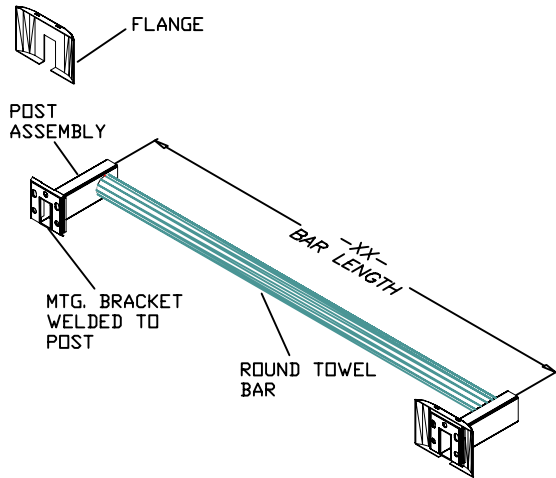
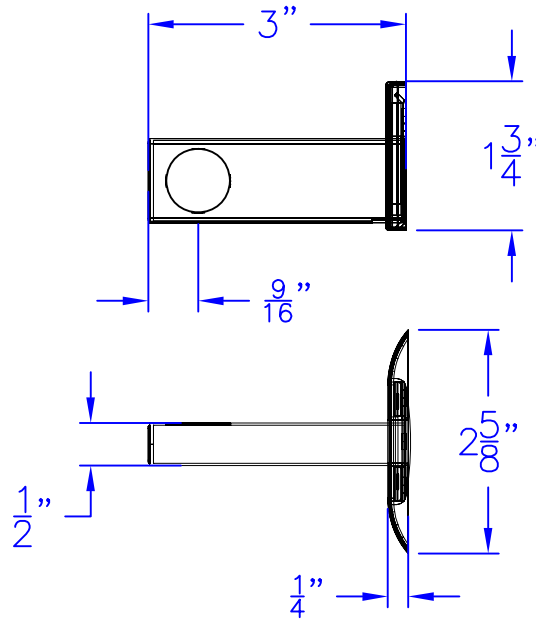




Technical Data

S-4542-XX-XX

ROUND TOWEL BAR



S-4542-XX-XX

BAR LENGTH FINISH

- FINISHES:
- SS SATIN STAINLESS
 - BS BRIGHT STAINLESS
 - PC POWDER COAT (SPECIFY COLOR)

Construction:

POST ASSEMBLY: 22 GAUGE TYPE 304 STAINLESS STEEL
 MOUNTING BRACKET: 19 GAUGE TYPE 304 STAINLESS STEEL WITH (3) 3/16" Ø AND (2) 3/16" X 9/32" SLOTTED HOLES.
 TOWEL BAR: 3/4" ROUND X .035 WALL STAINLESS STEEL (-XX- = SPECIFY LENGTH)
 MOUNTING SCREWS: #8 X 1 1/4" PHIL. PAN HD. ZINC PLATE
 FINISHES AS NOTED.

Installation:

USE MOUNTING BRACKET (WELDED TO POST ASSEMBLY) TO MARK AND LOCATE HOLES.
 FASTEN ONE POST TO WALL.
 SET DISTANCE WITH TOWEL BAR AND REPEAT STEP FOR OTHER POST.
 (INSERT TOWEL BAR INTO BOTH POSTS WHEN FASTENING SECOND POST)
 SLIDE FLANGE ONTO POST ASSEMBLY AND SNAP ONTO MTG. BRACKET.

CAUTION: UNIT IS ONLY AS STRONG AS THE ANCHORING DEVICES AND THE WALL ON WHICH IT IS MOUNTED TO.

Guide Specification:

3/4" ROUND TOWEL BAR (LENGTH AND FINISH AS INDICATED)
 CONCEALED MOUNTING SYSTEM.
 FABRICATED FROM TYPE 304 STAINLESS STEEL.