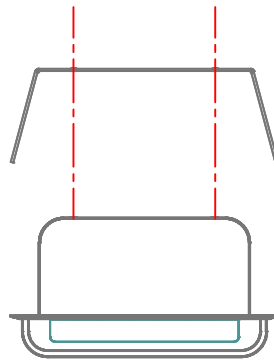
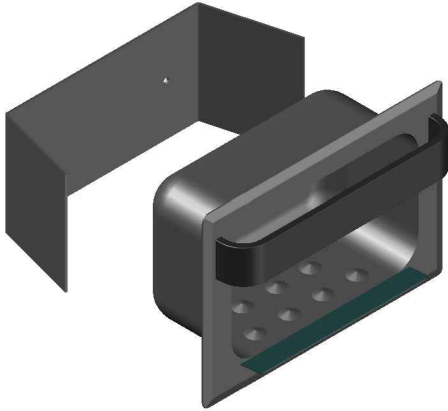




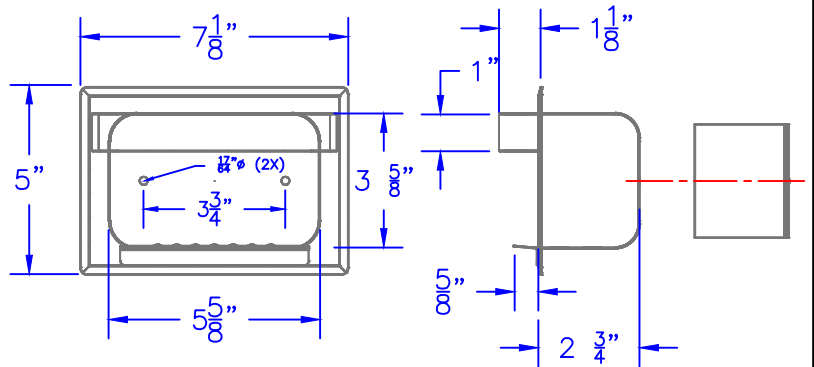
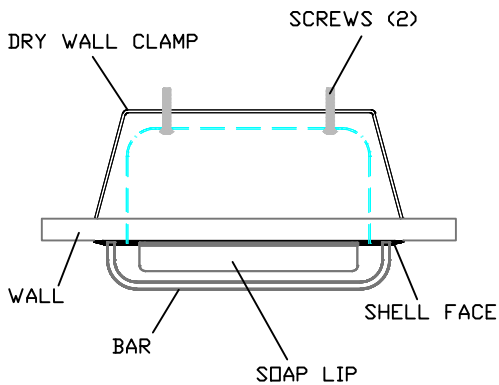
Technical Data

S-2634-01-XX

HEAVY DUTY RECESSED SOAP DISH WITH SOAP LIP AND BAR



FINISH CODE -XX
 -SS = SATIN FINISH
 -BS = BRIGHT FINISH



Construction:

SOAP DISH: 20 GAUGE TYPE 304 STAINLESS STEEL, ONE PIECE SEAMLESS.
 DRY WALL CLAMP: 16 GAUGE GALVANIZED STEEL
 BAR: $\frac{3}{16}$ " THICK TYPE 304 STAINLESS STEEL WELDED TO SHELL.
 SOAP LIP: 22 GAUGE TYPE 304 STAINLESS STEEL WELDED TO SHELL.
 (2) 10-24 X 1" LONG PHIL OVAL HEAD MACHINE SCREWS

Operation:

REQUIRES A ROUGH WALL OPENING 6" WIDE X 4" HIGH X $2 \frac{3}{4}$ " DEEP.
 MOUNT AT DESIRED LOCATION USING THE WALL BRACKET, SCREWS AND MOUNTING HOLES PROVIDED.
 (DRY WALL CLAMP INSERTS BEHIND WALL)

Guide Specification:

HEAVY DUTY RECESSED SOAP DISH FABRICATED OF TYPE 304 STAINLESS STEEL, DRAWN SEAMLESS CONSTRUCTION.
 SOAP LIP AND BAR WELDED TO SHELL.
 OVERALL EXPOSED FACE DIMENSION: 5" X $7 \frac{1}{8}$ ".
 INSIDE DIMENSION $5 \frac{5}{8}$ " WIDE X $3 \frac{5}{8}$ " HIGH X $2 \frac{3}{4}$ " DEEP.

The manufacturer reserves the right to make changes in design and material without formal notice and without incurring obligation

© Copyright 2005
 Brey-Krause Manufacturing

Brey-Krause Manufacturing
 1209 West Lehigh Street, Bethlehem, PA 18018
 Phone: 610.867.1401 Fax: 610.866.1433
 www.breykrause.com