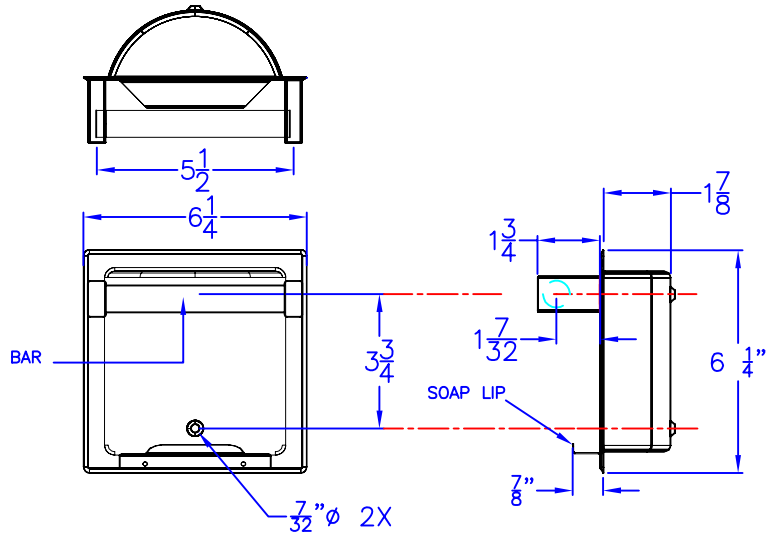




Technical Data S-2614-XX

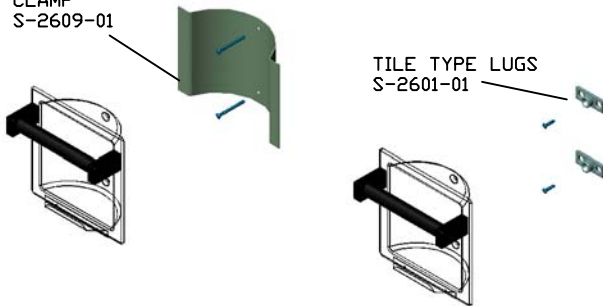
RECESSED SOAP DISH WITH LIP AND BAR



DRY WALL CLAMP
S-2609-01

MOUNTING SYSTEMS

TILE TYPE LUGS
S-2601-01



OPTIONAL MOUNTING SYSTEMS COME WITH APPROPRIATE SCREWS.

FINISH CODE: -XX

-SS = SATIN

-BS = BRIGHT

-PC = POWDER COATED (SPECIFY COLOR)

Construction:

SHELL: 22 GAUGE TYPE 304 STAINLESS STEEL FORMED ONE PIECE WITH BEVELED EDGES. (2) 7 / 32" Ø MTG. HOLES CTSK. FOR A #10 OVAL HEAD SCREW.
SOAP LIP: 22 GAUGE TYPE 304 STAINLESS STEEL FORMED ONE PIECE. FASTEN TO SHELL.
BAR: 7/32" Ø X .035 WALL TYPE 304 STAINLESS STEEL.
POST: 22 GAUGE TYPE 304 STAINLESS STEEL FASTENED TO SHELL.
SCREWS: COMES WITH (2) #10 X 1" OVAL PHILIPS STAINLESS STEEL SMS.

Operation:

SOAP DISH WITH SOAP LIP AND BAR

Installation:

ROUGH WALL OPENING OF 5 1/4" X 5 1/4" X 2" DEEP REQUIRED.
USE SHELL TO MARK LOCATION.
CUT OPENING THROUGH WALL.
FASTEN TO WALL USING SCREWS PROVIDED OR OPTIONAL MOUNTING SYSTEMS SHOWN ABOVE.

CAUTION: RECESSED SHELL REQUIRES NO OBSTRUCTIONS BEHIND WALL. UNIT IS ONLY AS STRONG AS THE ANCHORING DEVICES AND THE WALL ON WHICH IT IS MOUNTED TO.

Guide Specification:

FABRICATED FROM TYPE 304 STAINLESS STEEL IN FINISHES REQ. (AS LISTED ABOVE)
RECESSED SOAP DISH WITH SOAP LIP AND BAR.
ROUGH WALL OPENING REQUIRED IS 5 1/4" X 5 1/4" X 2" DEEP.

The manufacturer reserves the right to make changes in design and material without formal notice and without incurring obligation

© Copyright 2005
Brey-Krause Manufacturing

Brey-Krause Manufacturing
1209 West Lehigh Street, Bethlehem, PA 18018
Phone: 610.867.1401 Fax: 610.866.1433
www.breykrause.com