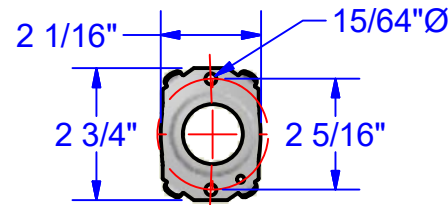
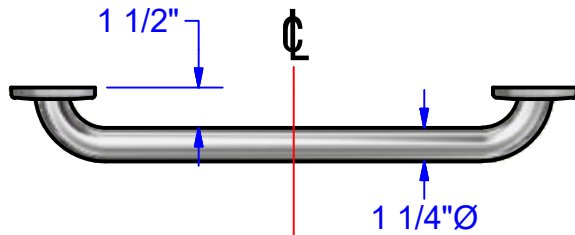




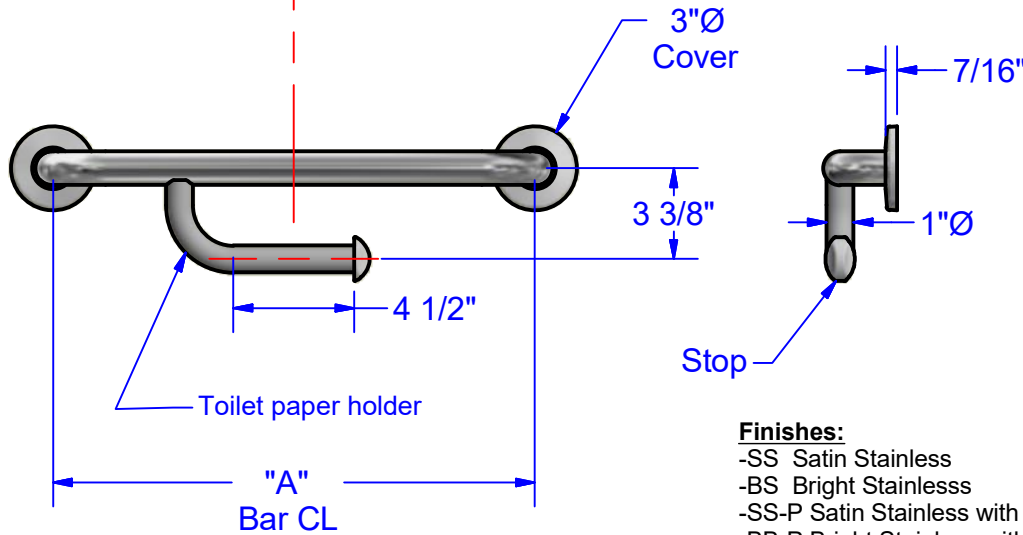
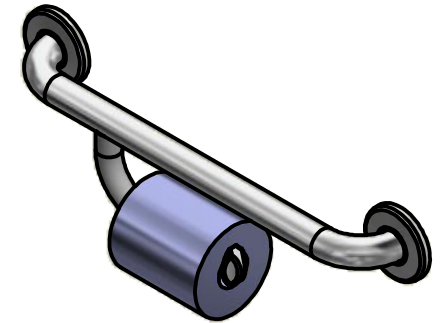
Technical Data Sheet

D-77XX-XX-TPH

1 1/4"Ø Straight grab bar with toilet paper holder



Flange detail



Flange#	Bar # "A" (ℓ length)	Finish	Grip (optional)
D-77	XX	XX	X

Bar #	"A" Lengthℓ
-10	12"
-11	16"
-12	18"
-13	24"
-21	30"
-14	32"
-16	36"
-15	42"

Finishes:

- SS Satin Stainless
- BS Bright Stainless
- SS-P Satin Stainless with peened safety grip
- BB-P Bright Stainless with peened safety grip
- SS-K Satin Stainless with knurled safety grip
- BS-K Bright Stainless with knurled safety grip
- PC Powder coated. (specify color)

Peened and knurled grips will be applied to the straight section on the grab bar only.

Construction:

Tubing: 1 1/4"Ø x 18 gauge stainless steel. Mandrel bent tube ends pass through flanges, tig welded to form a single structure unit.

Toilet paper holder: 1"Ø x 18 gauge stainless steel. Welded to grab bar. With brass nickel plated stop.

Flanges: 14 gauge stainless steel with (2) 15/64"Ø holes for attaching to wall.

Covers: 22 gauge stainless steel, 3"Ø x 7/16" deep. Each cover snaps over flange to conceal mounting screws.

Guide Specification:

ADA compliant.

Stainless steel 1 1/4"Ø grab bar with concealed mounting flanges and snap on covers in size and configuration as indicated. 1" Ø toilet paper holder attached to bottom of grab bar.

Brey-Krause grab bar has been load tested to over 500 lbs. This exceeds the ADA requirement of 250 lbs.

1/2" wall clearance.

Installation:

Secure grab bar to wall where adequate in-wall backing exists. Position bar horizontally so that the gripping surface is 33" to 36" above finished floor.

Use each grab bar as a template to located mounting holes. Drill holes and set anchors. Mount grab bar to wall and secure mounting screws. Snap covers over flanges.

Consult local and national accessibility codes for proper installation guidelines.

Conformity and compliance to local and national codes is the responsibility of the installer.