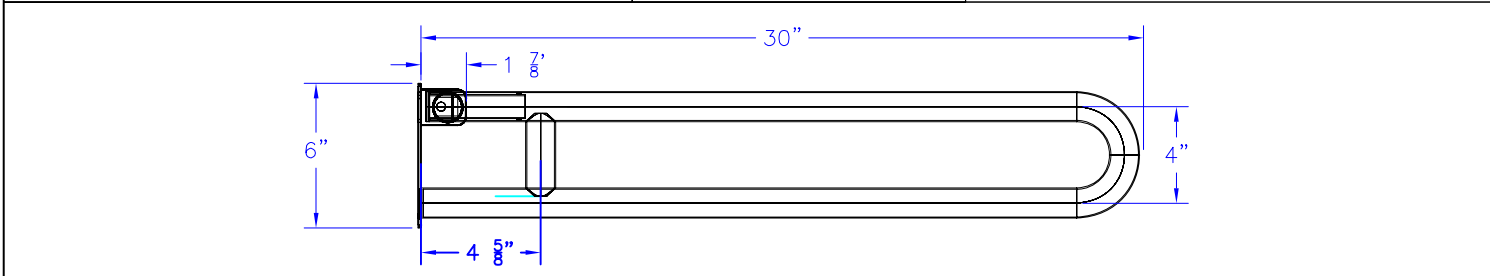
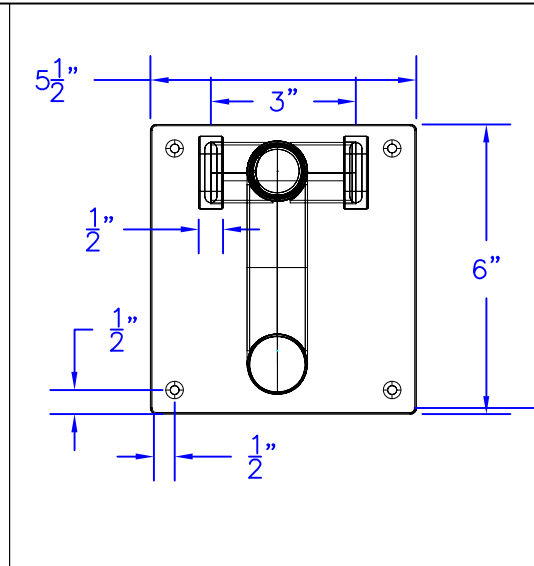
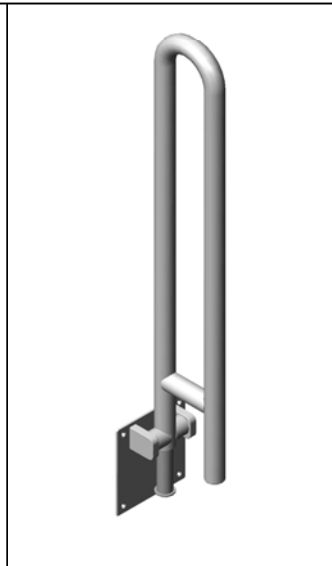




Technical Data D-3410-SS

SWING-UP GRAB BAR



Construction:

TUBING: 1 1/4" X 18 GAUGE, TYPE 304 STAINLESS STEEL MANDREL BENT
 FLANGE: 11 GAUGE TYPE 304 STAINLESS STEEL WITH (4) .250Ø MOUNTING HOLES. CTSK FOR A #10 OVAL HEAD SCREW (NOT PROVIDED)
 POST: SOLID STAINLESS STEEL TIG WELDED TO WALL FLANGE AND CONNECTED TO TUBE TO FORM A SINGLE STRUCTURE UNIT

Operation:

BAR FUNCTIONS AS A GRAB BAR IN THE HORIZONTAL POSITION.
 GRAB BAR LIFTS INTO VERTICAL POSITION AND IS KEPT IN PLACE WITH A SLIDING STOP WHEN NOT REQUIRED.
 WHEN BAR IS REQUIRED SIMPLY PUSH UP ON THE SLIDING STOP AND LOWER BAR INTO HORIZONTAL POSITION.

Installation:

SECURE GRAB BAR TO WALL WHERE ADEQUATE IN WALL BACKING EXISTS.
 POSITION GRAB BAR HORIZONTALLY, USE WALL FLANGE AS TEMPLATE TO LOCATE MOUNTING HOLES.
 DRILL HOLES AND SET ANCHORS.
 MOUNT TO WALL AND SECURE MOUNTING SCREWS

CAUTION: GRAB BAR IS ONLY AS STRONG AS THE ANCHORING DEVICES AND THE WALL ON WHICH IT IS MOUNTED TO.

Guide Specification:

FABRICATED FROM 304 STAINLESS STEEL
 IN THE HORIZONTAL POSITION THIS GRAB BAR WILL SUPPORT A 250 POUND VERTICAL LOAD WHEN PROPERLY INSTALLED.
 GRAB BAR SWINGS UP AND IS HELD IN PLACE WITH A STOP WHEN NOT REQUIRED

The manufacturer reserves the right to make changes in design and material without formal notice and without incurring obligation

© Copyright 2005
 Brey-Krause Manufacturing

Brey-Krause Manufacturing
 1209 West Lehigh Street, Bethlehem, PA 18018
 Phone: 610.867.1401 Fax: 610.866.1433
 www.breykrause.com