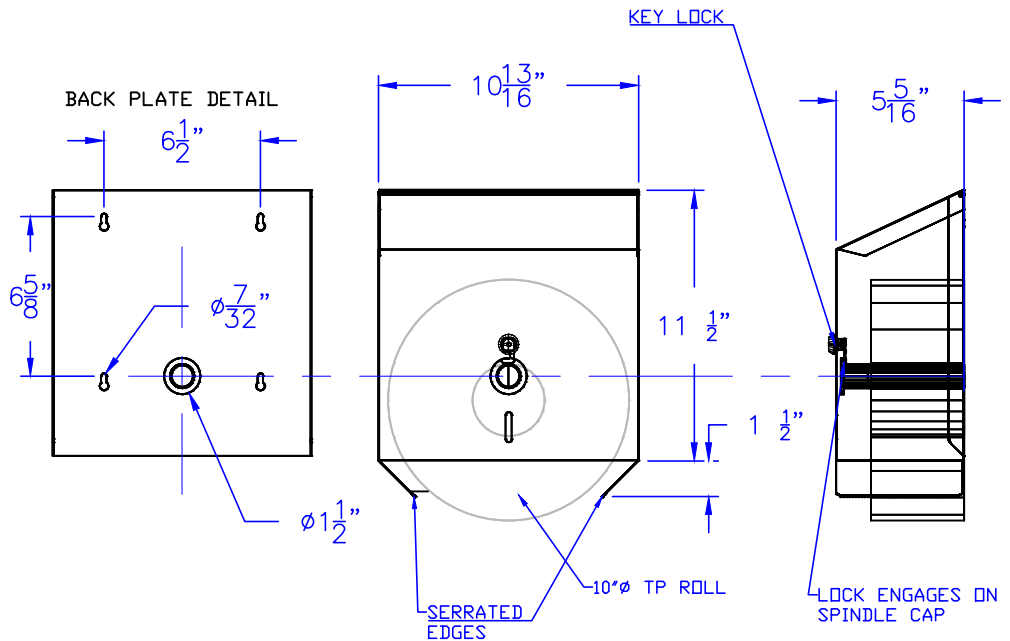
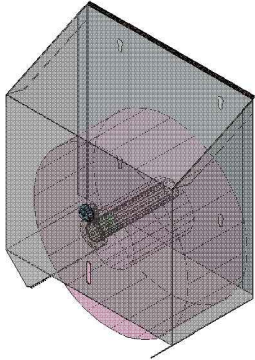




Technical Data C-1043-XX

LOCKING JUMBO TOILET PAPER HOLDER



FINISHES

C-1043-SS = SATIN STAINLESS
C-1043-PC = POWDER COAT (SPECIFIED COLOR)

Construction:

BACK PLATE: 18 GAUGE TYPE 304 STAINLESS STEEL, WITH (4) KEY HOLES, HINGED TO HOOD.
HOOD: 22 GAUGE TYPE 304 STAINLESS STEEL WITH (2) SERRATED EDGE FLAPS, HINGED TO BACK PLATE AND WITH LOCK.
SPINDLE: 1" ø TYPE 304 STAINLESS STEEL TUBE WITH ROLL STOP, WELDED TO BACK PLATE.
UNIT HAS LOCKING HOOD WITH KEYS.

Installation:

USE UNIT AS TEMPLATE TO LOCATE AND MARK HOLES.
MOUNT TO WALL USING (4) KEY HOLES PROVIDED.

UNIT IS ONLY AS STRONG AS THE ANCHORING DEVICES AND THE WALL ON WHICH IT IS MOUNTED TO.

Guide Specification:

HOLDS JUMBO TOILET TISSUE ROLL UP TO 10" IN DIAMETER, INNER CORE DIAMETER IS 1".
SURFACE MOUNT.
FINISHES AS INDICATED.
LOCKING HOOD FOR SECURITY AGAINST THEFT.

The manufacturer reserves the right to make changes in design and material without formal notice and without incurring obligation

© Copyright 2005
Brey-Krause Manufacturing

Brey-Krause Manufacturing
1209 West Lehigh Street, Bethlehem, PA 18018
Phone: 610.867.1401 Fax: 610.866.1433
www.breykrause.com