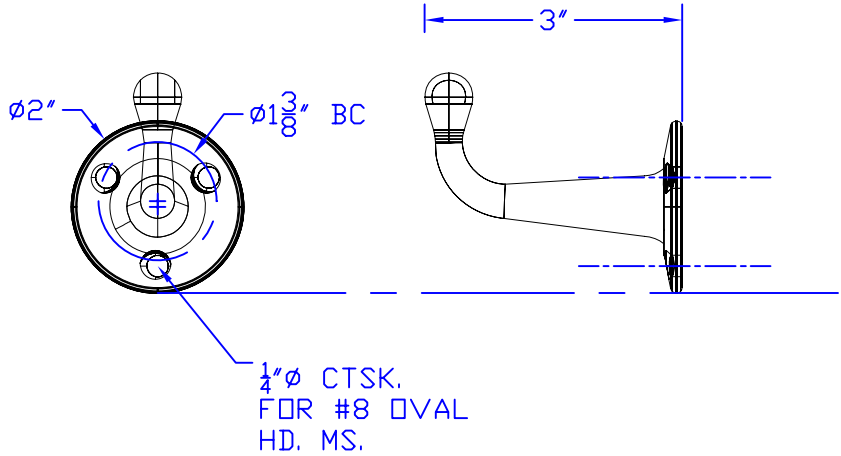




# Technical Data B-5040-XX

SOLID BRASS EXPOSED MOUNT SINGLE HOOK



FINISH CODE -XX

- BC = BRIGHT CHROME
- SC = SATIN CHROME

## Construction:

HOOK: SOLID BRASS CASTING.  
 MOUNTING SCREWS: SUPPLIED WITH (3) #8 PHIL. OVAL HEAD MS X 1  $\frac{1}{4}"$  LONG.

## Installation:

USE HOOK AS TEMPLATE TO MARK AND LOCATE HOLES.  
 FASTEN TO WALL.

CAUTION: HOOK AND FLANGE ARE ONLY AS STRONG AS THE ANCHORING DEVICES AND THE WALL ON WHICH IT IS MOUNTED TO.

## Guide Specification:

EXPOSED MOUNT SINGLE HOOK.  
 SOLID BRASS CONSTRUCTION IN FINISHES AS INDICATED.  
 3" WALL PROJECTION.

The manufacturer reserves the right to make changes in design and material without formal notice and without incurring obligation

© Copyright 2005  
 Brey-Krause Manufacturing

Brey-Krause Manufacturing  
 1209 West Lehigh Street, Bethlehem, PA 18018  
 Phone: 610.867.1401 Fax: 610.866.1433  
 www.breykrause.com