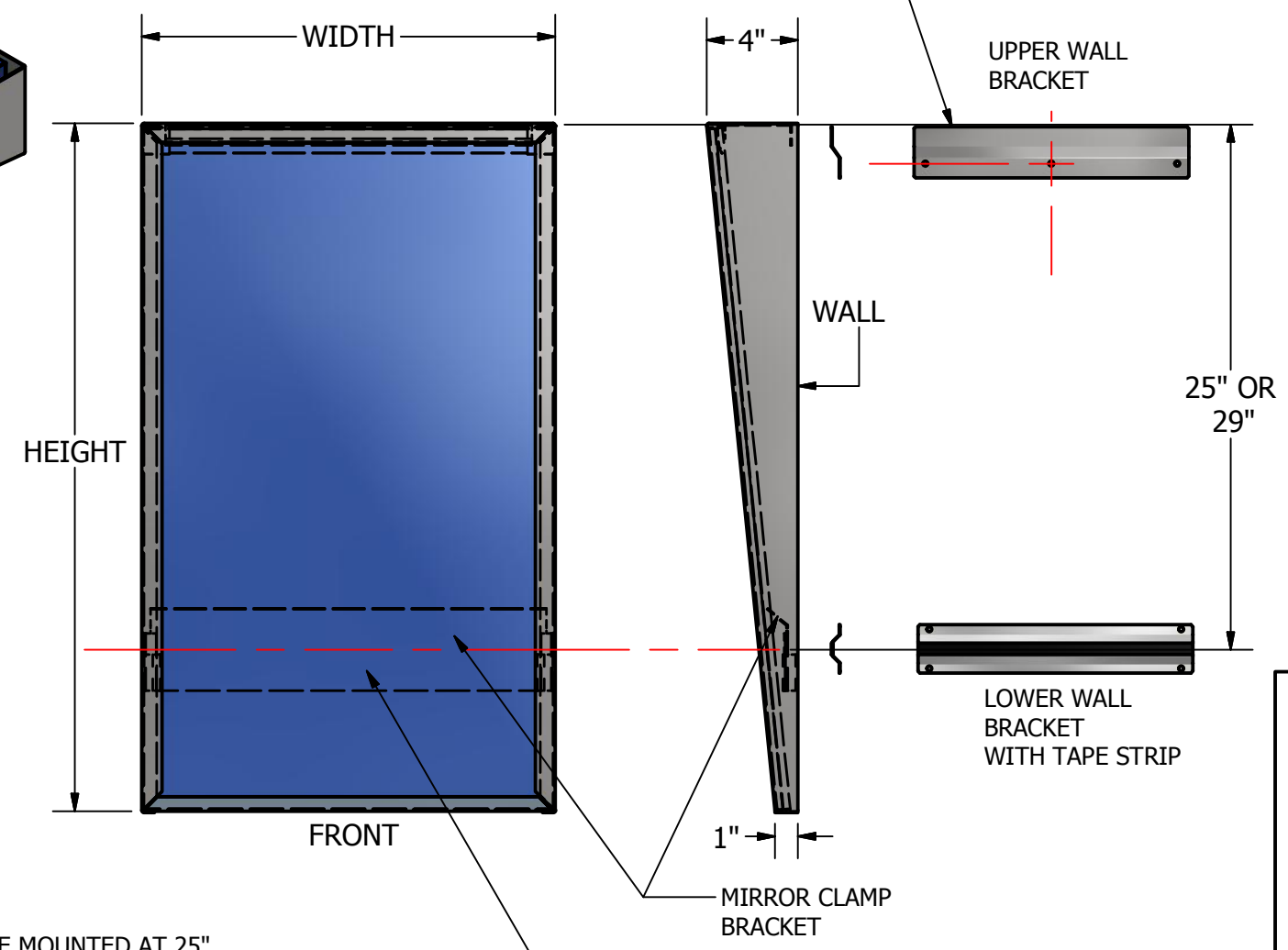
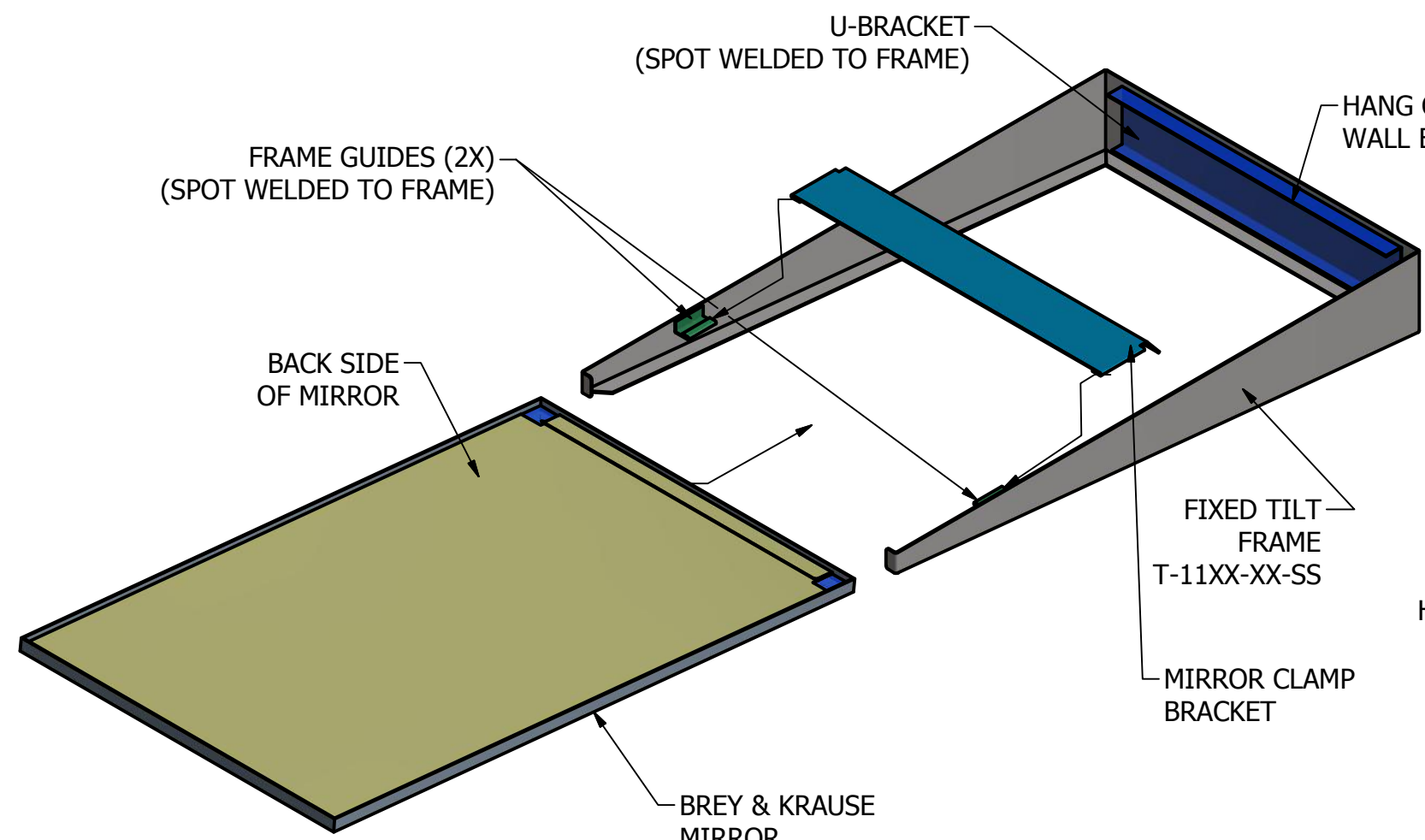


REVISION HISTORY			
REV	DESCRIPTION	DATE	APPROVED
2	was 24"	5-2-14	

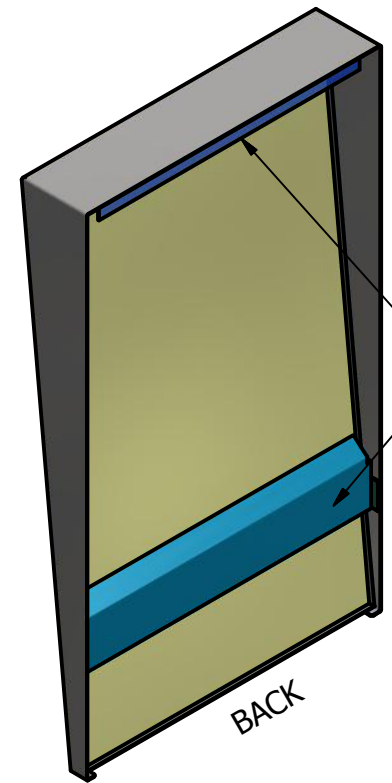


- INSTALLATION INSTRUCTIONS:**
1. MOUNT UPPER AND LOWER WALL BRACKETS TO WALL. LOWER WALL BRACKET MUST BE MOUNTED AT 25" (FOR 30" MIRROR HEIGHT) OR 29" (FOR 36" MIRROR HEIGHT). THESE BRACKETS ARE INCLUDED WITH THE BREY-KRAUSE MIRROR.
  2. SPREAD TILT FRAME APART TO START. SLIDE BREY-KRAUSE MIRROR UNDER FRAME GUIDES AND U-BRACKET. CLOSE WHEN MIRROR IS FULLY INSERTED.
  3. INSTALL THE MIRROR CLAMP BRACKET INTO THE FRAME GUIDES. ANGLED FLANGE WILL SECURE MIRROR TO FRAME.
  4. PEEL TAPE STRIP FROM LOWER WALL BRACKET.
  5. SLIDE UNIT ONTO UPPER WALL BRACKET. CAREFULLY PUSH MIRROR SO THAT IT ADHERES TO EXPOSED TAPE STRIP ON LOWER WALL BRACKET.

**FIXED TILT FRAME T-11XX-XX-SS**  
 1 FRAME ASSEMBLY  
 1 MIRROR CLAMP BRACKET

**BREY-KRAUSE MIRROR T-10XX-XX-SS**  
 1 MIRROR  
 1 UPPER WALL BRACKET  
 1 LOWER WALL BRACKET (WITH TAPE STRIP)  
 (NOT INCLUDED WITH THE FIXED TILT UNIT)

PUSH CAREFULLY TOWARDS WALL TO ADHERE TO TAPE STRIP.



TOLERANCES (unless specified otherwise)

FRACTIONAL:  $\pm 5/32"$

$\angle$ :  $\pm 1^\circ$

x.xx:  $\pm 0.010$

x.xxx:  $\pm 0.005$

x.xxxx:  $\pm 0.0002$

DRAWN	d martin	12/11/2013
CHECKED		
RELEASE		
APPROVED		

BREY-KRAUSE MFG. 1209 W. LEHIGH STREET BETHLEHEM, PA 18018		
TITLE BREY & KRAUSE FIXED TILT FRAME MIRROR INSTRUCTIONS		
SIZE B	DWG NO FIX TILT INSTRUCTIONS	REV 2
SCALE	SHEET 1 OF 1	

DWG FIX TILT INSTRUCTIONS