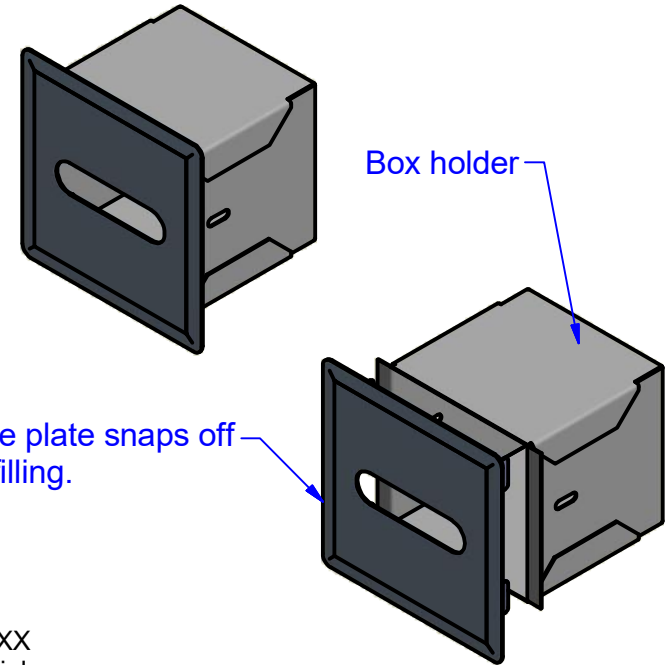
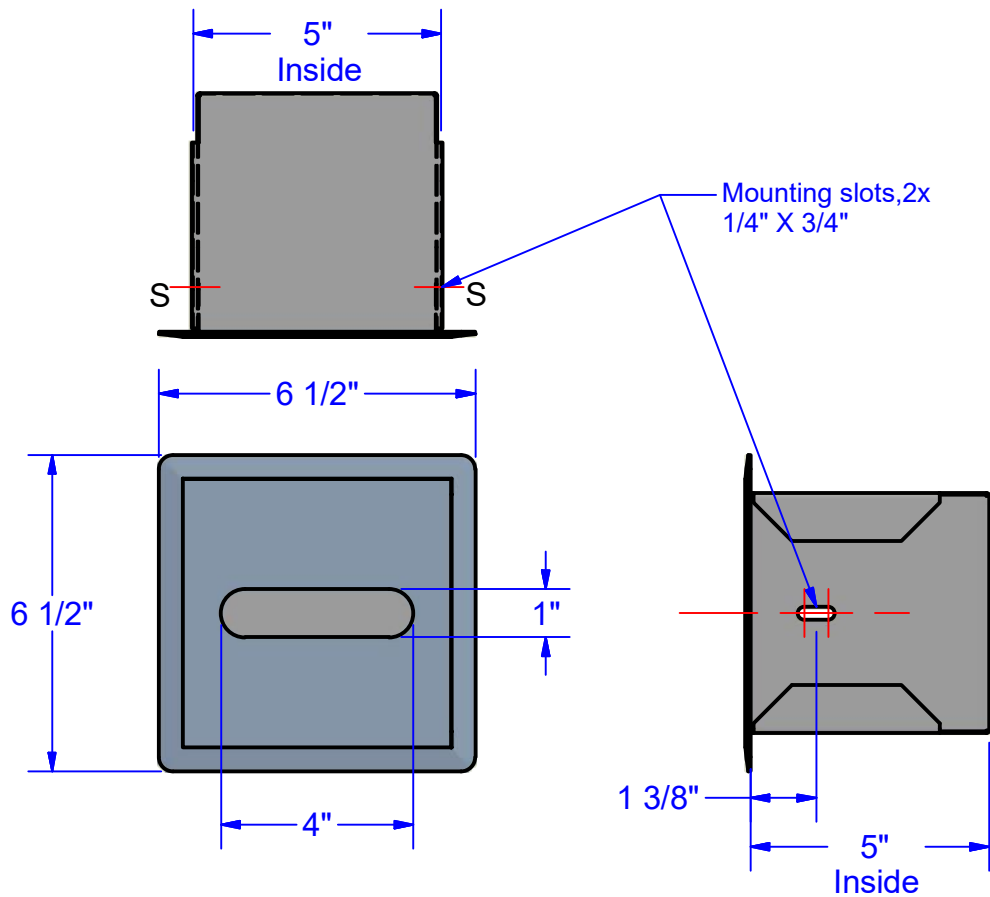




Technical Data Sheet

S-2681-XX
Square tissue recessed dispenser box



Finish codes: -XX
-SS = Satin stainless
-BS = Bright stainless
-PC = Powder cost (specify color)

Note: Finish codes will only be applied to the face plate. Box holder will be satin stainless.

Construction:

Face plate: 18 gauge type 304 stainless steel. With (4) snap tabs for removal and filling.
Box holder: 22 gauge 304 stainless steel. Slots (2) for mounting.

Installation:

Requires rough wall opening of 5 1/2" x 5 1/2" x 5 1/2".
Mount box holder using the (2) slotted holes. Use shims as needed (not included).
Snap in face plate as shown.

For filling remove face plate.

Guide Specification:

Holds a standard square tissue box 5" x 5" x 5".
Type 304 stainless steel. Finishes as indicated.
Recessed mounting.