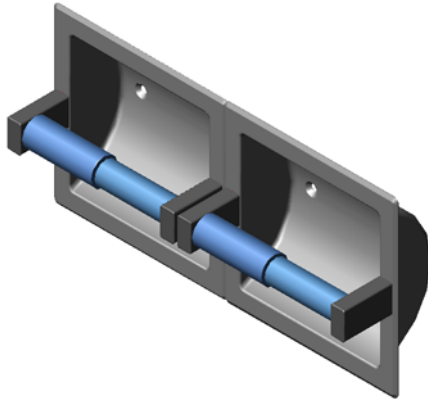




# Technical Data

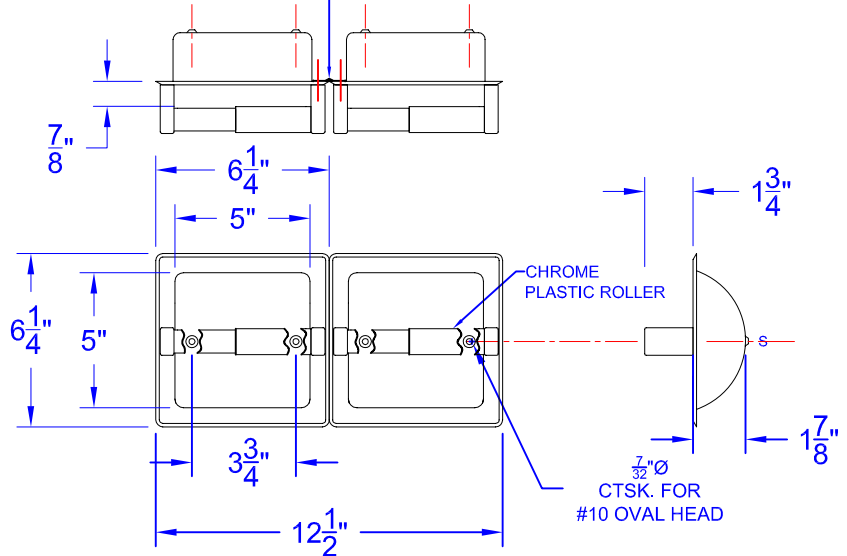
## S-2659-XX

### DOUBLE RECESSED TOILET PAPER HOLDER



STRAP PLATE  
SECURES BOTH  
UNITS TOGETHER

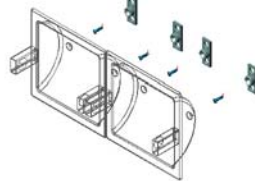
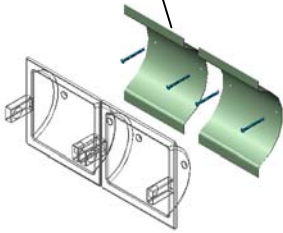
ROUGH WALL OPENING:  
11 1/2" X 5 1/4" X 2"



#### MOUNTING SYSTEMS

DRY WALL CLAMP  
S-2609-01

TILE TYPE LUGS  
S-2601-01



OPTIONAL MOUNTING SYSTEMS COME WITH  
APPROPRIATE SCREWS.

FINISH CODE: -XX

-SS = SATIN

-BS = BRIGHT

-PC = POWDER COATED (SPECIFY COLOR)

### Construction:

SHELLS (2): 22 GAUGE TYPE 304 STAINLESS STEEL FORMED ONE PIECE WITH BEVELED EDGES. (2) 7/32"Ø MTG. HOLES CTSK. FOR A #10 OVAL HEAD SCREW. SHELLS ARE FASTENED TOGETHER SIDE BY SIDE WITH A 22 GA. GALVANIZED STRAP PLATE. ROLLER POSTS: 22 GAUGE TYPE 304 STAINLESS STEEL FORMED ONE PIECE. FASTEN TO SHELL FROM BEHIND. ROLLER: CHROME PLATED PLASTIC. SPRING LOADED FOR REMOVAL AND RELOAD. SCREWS: COMES WITH (2) #10 X 1" OVAL PHILIPS STAINLESS STEEL SMS.

### Operation:

HOLDS TWO SINGLE ROLLS OF TOILET TISSUE PAPER OF STANDARD SIZE IN A HORIZONTAL POSITION. ROLLER ALLOWS FOR QUICK LOADING OF TOILET TISSUE PAPER,

### Installation:

ROUGH WALL OPENING OF 11 1/2" X 5 1/4" X 2" DEEP REQUIRED.  
USE SHELL TO MARK LOCATION.  
CUT OPENING THROUGH WALL.  
FASTEN TO WALL USING SCREWS PROVIDED OR OPTIONAL MOUNTING SYSTEMS SHOWN ABOVE.

CAUTION: RECESSED SHELL REQUIRES NO OBSTRUCTIONS BEHIND WALL. UNIT IS ONLY AS STRONG AS THE ANCHORING DEVICES AND THE WALL ON WHICH IT IS MOUNTED TO.

### Guide Specification:

DOUBLE TOILET TISSUE PAPER HOLDER.  
RECESSED MOUNTING.  
FABRICATED FROM TYPE 304 STAINLESS STEEL IN FINISHES REQ. (AS LISTED ABOVE)  
SPRING LOADED CHROME PLASTIC ROLLER TO HOLD A SINGLE TOILET TISSUE ROLL IN EACH SHELL.  
ROUGH WALL OPENING REQUIRED IS 11 1/2" X 5 1/4" X 2" DEEP.

The manufacturer reserves the right to make changes in design and material without formal notice and without incurring obligation

© Copyright 2005  
Brey-Krause Manufacturing

Brey-Krause Manufacturing  
1209 West Lehigh Street, Bethlehem, PA 18018  
Phone: 610.867.1401 Fax: 610.866.1433  
www.breykrause.com