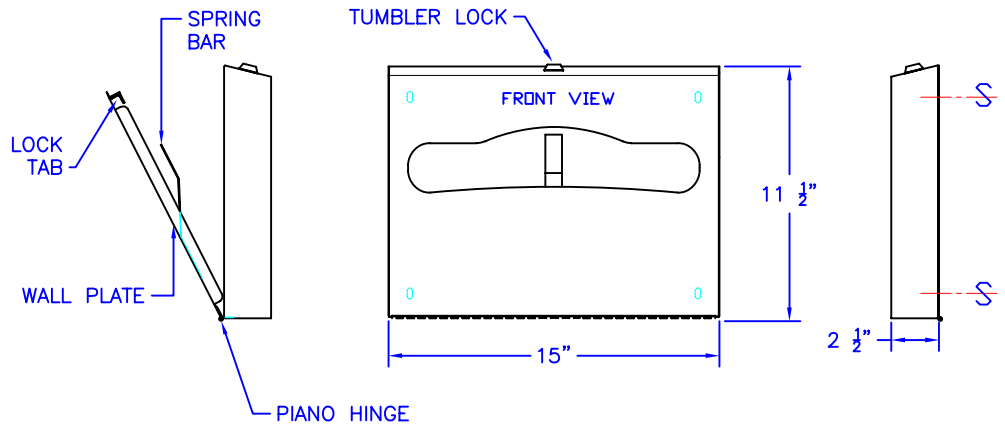
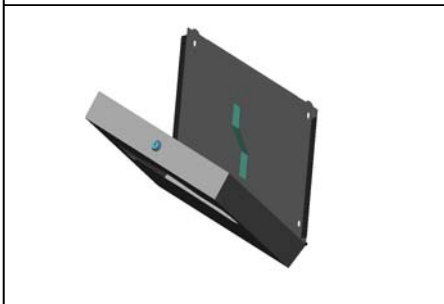
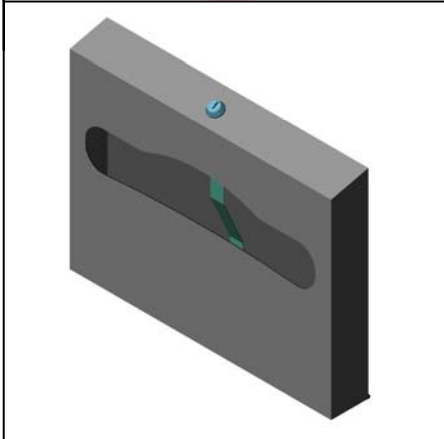




Technical Data C-1031-XX

SURFACE MOUNT SEAT COVER DISPENSER



FINISHES:
 -SS = SATIN STAINLESS
 -PC = POWDER COATED (SPECIFY COLOR)

Construction:

UNIT FABRICATED FROM 22 GAUGE TYPE 304 STAINLESS STEEL.
 STAINLESS STEEL CONTINUOUS PIANO HINGE AT BOTTOM OF CABINET ALLOWS EASY FILLING.
 CABINET EQUIPPED WITH TUMBLER LOCK AND KEYS.
 WALL PLATE ATTACHED TO CABINET HAS (4) SLOTTED HOLES FOR MOUNTING #10 SCREWS (NOT INCLUDED).

Capacity:

MAXIMUM 500 SHEETS

Installation:

USE WALL PLATE AS TEMPLATE TO LOCATE AND MARK HOLES.
 DRILL HOLES AND FASTEN TO WALL.
 FILL CABINET.
 LOCK CABINET TO WALL PLATE.

Guide Specification:

SURFACE MOUNTED SEAT COVER DISPENSER FABRICATED FROM 22 GAUGE TYPE 304 STAINLESS STEEL.
 TUMBLER LOCK TO SECURE CABINET.
 500 SHEET CAPACITY.
 FINISHES AS INDICATED ABOVE.
 OVER ALL DIM. 15" WIDE X 11 1/2" HEIGHT X 2 1/2" DEPTH.

The manufacturer reserves the right to make changes in design and material without formal notice and without incurring obligation

© Copyright 2005
 Brey-Krause Manufacturing

Brey-Krause Manufacturing
 1209 West Lehigh Street, Bethlehem, PA 18018
 Phone: 610.867.1401 Fax: 610.866.1433
 www.breykrause.com