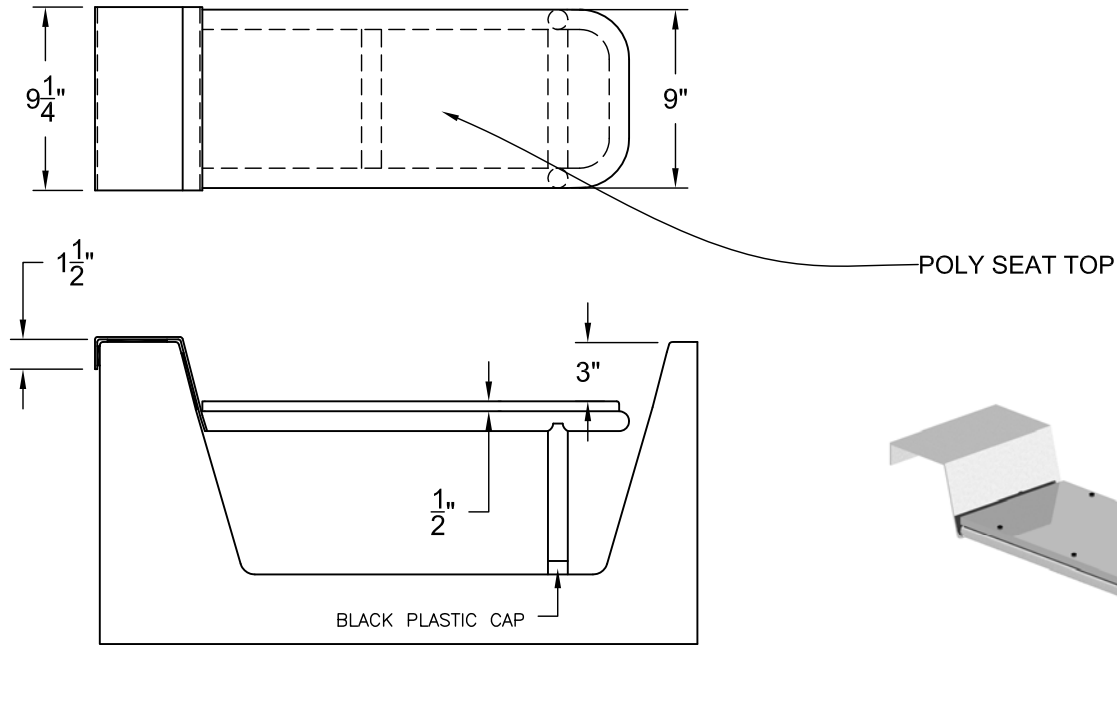




# Technical Data

## S-6018-SS

REMOVABLE WHITE POLY TUB SEAT



### Construction:

- 1"  $\phi$  X .049W TYPE 304 STAINLESS STEEL TUBE
- 11 GA. STAINLESS STEEL SEAT BRACKET WELDED TO TUBE.
- SATIN #4 FINISH
- WHITE NEOPRENE PADS TO PROTECT TUB SURFACE
- $\frac{1}{2}$ " THICK HIGH DENSITY WHITE POLY TOP FASTEN TO FRAME WITH SCREWS.
- BLACK PLASTIC END CAPS ON BOTTOM OF LEGS

### Operation:

- PLACE TUB SEAT ACROSS TUB ENGAGING U-PORTION OF SEAT.
- REMOVE WHEN NOT NEEDED

### Installation:

- REMOVABLE TUB SEAT (SEE ABOVE)

### Guide Specification:

- CUSTOMER MUST SUPPLY TUB DIMENSIONS DEPICTED ON PAGE 2
- ONE PIECE 1"  $\phi$  X .049W FRAME, TYPE 304 STAINLESS STEEL CONSTRUCTION
- 11 GA. STAINLESS STEEL SEAT BRACKET WELDED TO FRAME.
- $\frac{1}{2}$ " THICK HIGH DENSITY POLY DECK FASTEN TO FRAME WITH SCREWS.
- SATIN #4 FINISH
- WHITE NEOPRENE PADS FIXED TO TUB SEAT TO PROTECT TUB SURFACE

The manufacturer reserves the right to make changes in design and material without formal notice and without incurring obligation

© Copyright 2005  
Brey-Krause Manufacturing

Brey-Krause Manufacturing  
1209 West Lehigh Street, Bethlehem, PA 18018  
Phone: 610.867.1401 Fax: 610.866.1433  
www.breykrause.com

# PART S-6018-SS



1209 West Lehigh Street  
 Bethlehem, PA 18018  
 Phone: 610.867.1401  
 Fax: 610.866.1433  
 www.breykrause.com

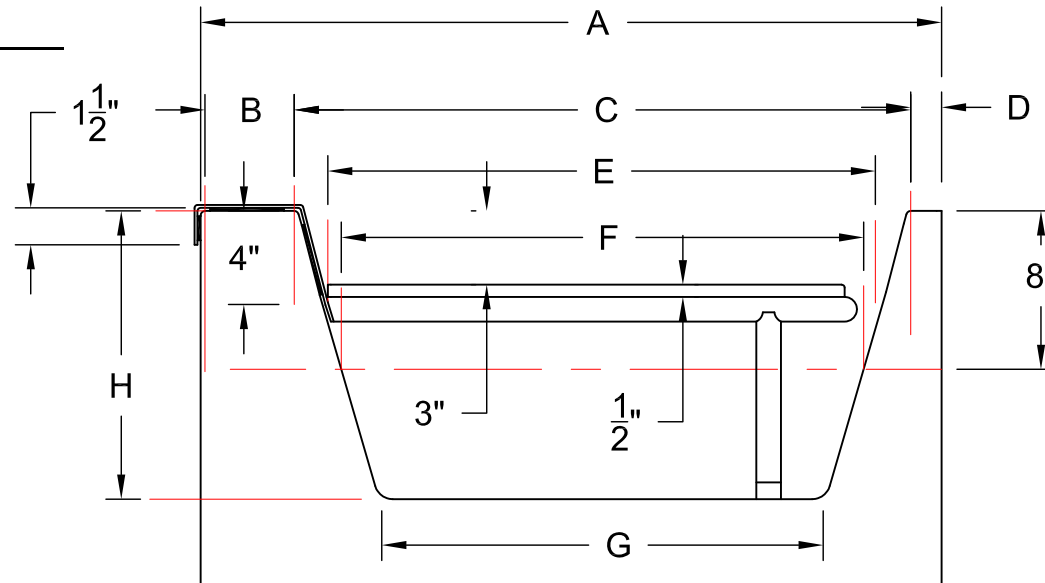
REVISIONS			
ZONE	REV	DESCRIPTION	DATE APPROVED

### CUSTOMER SUPPLIED DIMENSIONS

A = \_\_\_\_\_ E = \_\_\_\_\_ **TAKEN 4" FROM TUB TOP**  
 B = \_\_\_\_\_ F = \_\_\_\_\_ **TAKEN 8" FROM TUP TOP**  
 C = \_\_\_\_\_ G = \_\_\_\_\_  
 D = \_\_\_\_\_ H = \_\_\_\_\_

NOTE: TUB DIMENSIONS MUST BE SUPPLIED TO OUR FACTORY WHEN ORDERING.

**DIMENSION E AND F CAN BE OMITTED IF THE ANGLE OF THE TUB SIDE IS PROVIDED**



Item No.	Description	Qty.	Drawn	KRR	02-11-11	Dim are in Inches	CUSTOMER: -18 GA. STAINLESS STEEL TUBE -11 GA. STAINLESS STEEL PLATE 1/8" NEOPRENE PADS TO PROTECT TUB.
			Checked	KRR	02-11-11	Tolerances (Unless Otherwise Specified)	
			Eng. Appr.	SS	02-11-11	Fractional: + - 1/8"	
			Mfg.Appr.	SS	02-11-11	Angular: XX: +/- 0.062 XXX: +/- 0.032	
<b>PROPRIETARY AND CONFIDENTIAL</b> The information contained in this drawing is the sole property of Brey-Krause. Any reproduction in part or as a whole without the written permission of Brey-Krause is prohibited.						SIZE A	QUOTE # S-6018-SS.dwg
						SCALE 1:1	SHEET 1 of 1
							REV 1